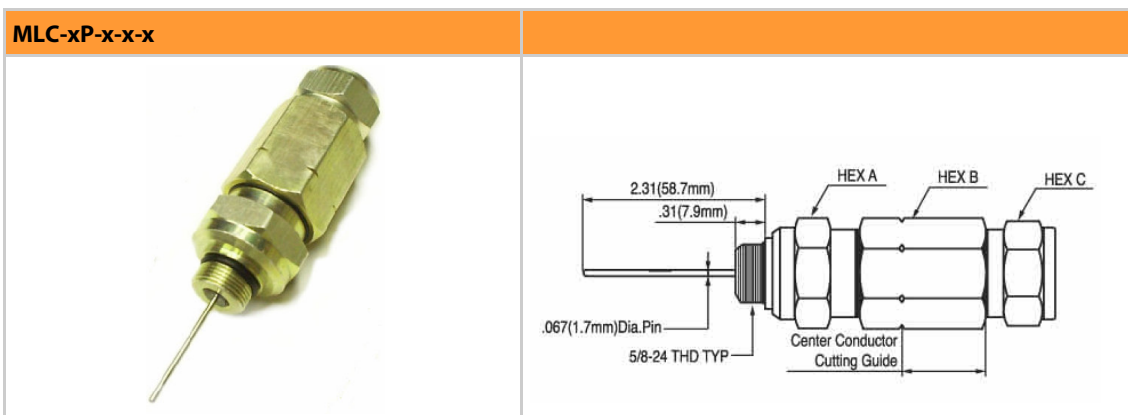


Hardline Connector Features:

- Excellent RF shielding and designed to work in various environments
- Minimized damage from moisture through O-ring seal
- Meets or exceeds all SCTE standards
- Pin length matches various amplifier and outdoor tap types
- High conductor seizing feature

Bandwidth	
In-Out	DC-1000MHz
Insertion Loss	
Avg.@5MHz	<0.1dB
Avg.@1GHz	<0.3dB
Impedance	75Ω
Return Loss	
Typ.@5MHz	-30dB
Typ. @1GHz:	-30dB
Power Capacity	30-90VAC (Amperes) >20AC amperes

Hardline Pin Connectors : Specification



Std Bag Qty: 10 pcs

- Pin Connector Housing Adapter
- 500, 540, 750 pin type
- 2 or 3 piece design
- Connector type 5/8 (KS)
- Extension option for 3 piece design
- P1, P3, MC2 and QR cable type

2 Piece Pin Connector

MLC-500P-2-P1	.500 Pin Connector, 2 Piece, P1 Cable
MLC-500P-2-P3	.500 Pin Connector, 2 Piece, P3 Cable
MLC-500P-2-MC2	.500 Pin Connector, 2 Piece, MC2 Cable
MLC-540P-2-QR	.540 Pin Connector, 2 Piece, QR Cable

2 Piece Pin Connector with 3" Extender

MLC-500P-2-EX3-P1	.500 Pin Connector w/ 3" extender, P1 Cable
MLC-500P-2-EX3-P3	.500 Pin Connector w/3" extender, P3 Cable
MLC-540P-2-EX3-QR	.540 Pin Connector w/3" extender, QR Cable


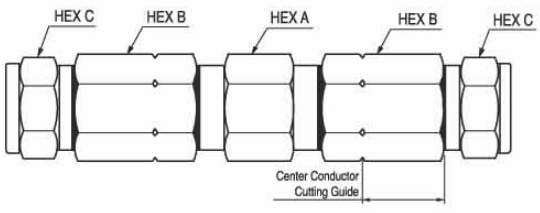
3 Piece Pin Connector

MLC-500P-3-P1	.500 Pin Connector, 3 Piece, P1 Cable
MLC-500P-3-P3	.500 Pin Connector, 3 Piece, P3 Cable
MLC-500P-3-MC2	.500 Pin Connector, 3 Piece, MC2 Cable
MLC-540P-3-QR	.540 Pin Connector, 3 Piece, QR Cable
MLC-750P-3-P1	.750 Pin Connector, 3 Piece, P1 Cable
MLC-750P-3-P3	.750 Pin Connector, 3 Piece, P3 Cable

3 Piece Pin Connector with 3" Extender


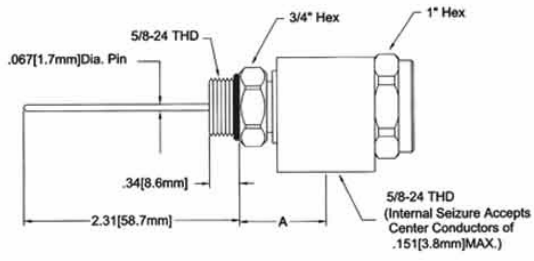
MLC-500P-EX3-P1	.500 Pin Connector w/ 3 " extender, P1 Cable
MLC-500P-EX3-P3	.500 Pin Connector w/ 3" extender, P3 Cable
MLC-540P-EX3-QR	.540 Pin Connector w/ 3" extender, QR Cable
MLC-750P-EX3-P1	.750 Pin Connector w/ 3" extender, P1 Cable
MLC-750P-EX3-P3	.750 Pin Connector w/ 3" extender, P3 Cable

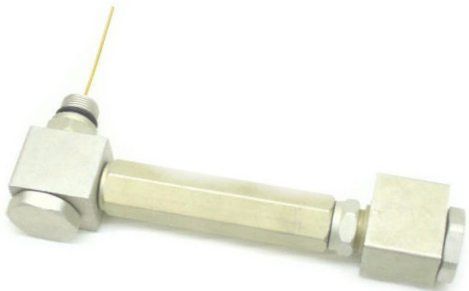
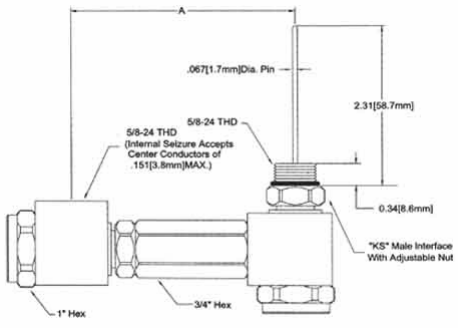
Hardline Splice Connectors : Specification

MLC-xS-x-x-x	
	
<p>Std Bag Qty: 10 pcs</p> <ul style="list-style-type: none"> • Splice connector • Cable to cable splice • 500, 540, 750 pin type • 2 or 3 piece design • P1, P3, or QR cable type 	

2 Piece Splice Connector	
MLC-500S-2-P1	.500 Splice Connector, 2 Piece, P1 Cable
MLC-500S-2-P3	.500 Splice Connector, 2 Piece, P3 Cable
MLC-540S-2-QR	.540 Splice Connector, 2 Piece, QR Cable
3 Piece Splice Connector	
MLC-500S-3-P1	.500 Splice Connector, 3 Piece, P1 Cable
MLC-500S-3-P3	.500 Splice Connector, 3 Piece, P3 Cable
MLC-540S-3-QR	.540 Splice Connector, 3 Piece, QR Cable
MLC-750S-3-P1	.750 Splice Connector, 3 Piece, P1 Cable
MLC-750S-3-P3	.750 Splice Connector, 3 Piece, P3 Cable


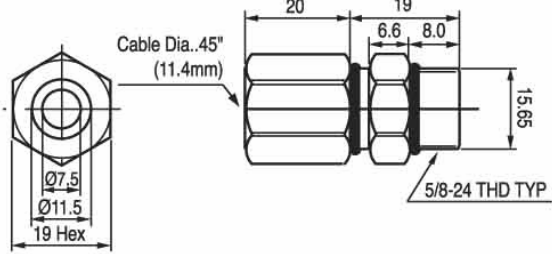

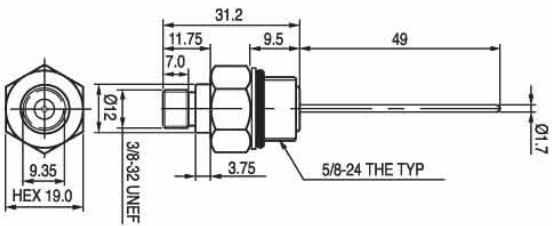

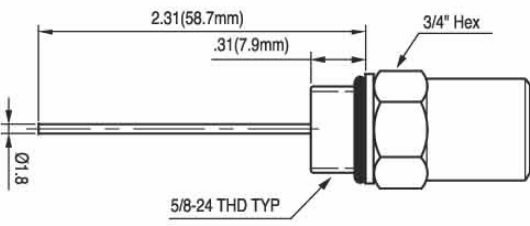

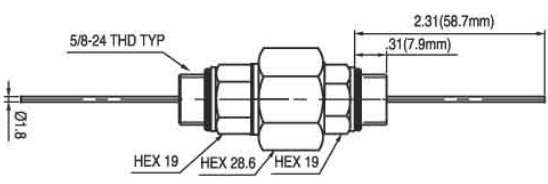
Hardline 90 & 180 Degree Adapter : Specification

MLC-90-x	
	 <p>5/8-24 THD .067[1.7mm]Dia. Pin .34[8.6mm] 2.31[58.7mm] A 3/4" Hex 1" Hex 5/8-24 THD (Internal Seizure Accepts Center Conductors of .151[3.8mm]MAX.)</p>
<p>Std Bag Qty: 10 pcs</p> <ul style="list-style-type: none"> 90 degree adaptor Connector type: 5/8(KS) 	

MLC-180	
	 <p>A .067[1.7mm]Dia. Pin 2.31[58.7mm] 0.34[8.6mm] *KS* Male Interface With Adjustable Nut 5/8-24 THD (Internal Seizure Accepts Center Conductors of .151[3.8mm]MAX.) 5/8-24 THD 1" Hex 3/4" Hex</p>
<p>Std Bag Qty: 10 pcs</p> <ul style="list-style-type: none"> 180 degree adapter Connector type: 5/8(KS) 	

90 Degree Adapter	
MLC-90	90 degree adapter, 1.0"
MLC-90-EX3	90 degree adapter, 3.0"
MLC-90-EX4.5	90 degree adapter, 4.5'
MLC-90-EX6.0	90 degree adapter, 6.0"
MLC-90-EX1.5S	Swivel 90 degree adapter, 1.5"
MLC-90-EX2.8-S	Swivel 90 degree adapter, 2.8"
MLC-90-EX4.3-S	Swivel 90 degree adapter, 4.3"
180 Degree Adapter	
MLC-180	180 degree adapter

Additional Hardline Connectors : Specification

MLC-FTC : Feed through connector for RG11	Std Bag Qty: 10 pcs
	
MLC-F: Pin Connector to F port	Std Bag Qty: 10 pcs
	
MLC-TRM: Pin Connector to 75 ohm terminator	Std Bag Qty: 10 pcs
	
MLC-HH: Housing to Housing adapter	Std Bag Qty: 10 pcs
	

Additional Hardline Connectors : Specification

MLC-500F: Pinc connector housing adapter

