
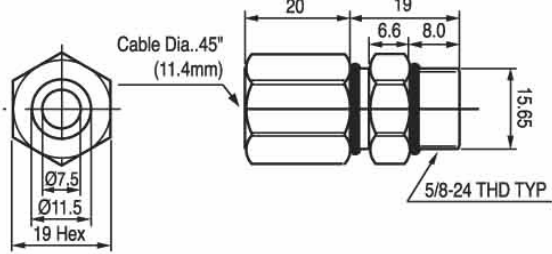

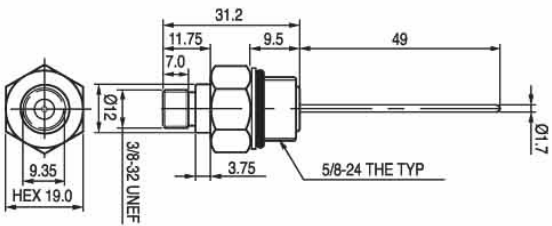

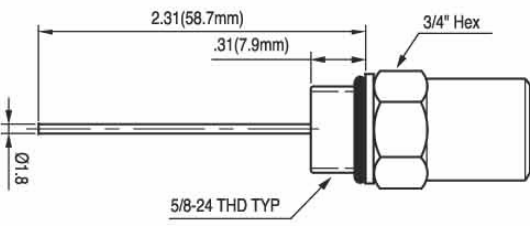

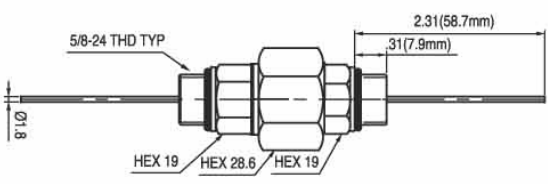


## Additional Hardline Connectors : Specification

<b>MLC-FTC : Feed through connector for RG11</b>	<b>Std Bag Qty: 10 pcs</b>
	
<b>MLC-F: Pin Connector to F port</b>	<b>Std Bag Qty: 10 pcs</b>
	
<b>MLC-TRM: Pin Connector to 75 ohm terminator</b>	<b>Std Bag Qty: 10 pcs</b>
	
<b>MLC-HH: Housing to Housing adapter</b>	<b>Std Bag Qty: 10 pcs</b>
	

## Additional Hardline Connectors : Specification

