
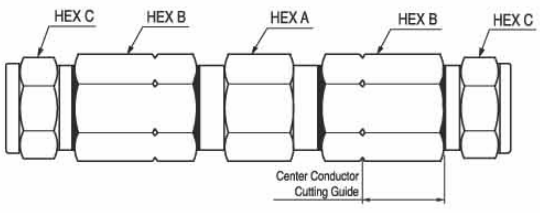


## Hardline Splice Connectors : Specification

MLC-xS-x-x-x	
	
<p><b>Std Bag Qty: 10 pcs</b></p> <ul style="list-style-type: none"> <li>• Splice connector</li> <li>• Cable to cable splice</li> <li>• 500, 540, 750 pin type</li> <li>• 2 or 3 piece design</li> <li>• P1, P3, or QR cable type</li> </ul>	

### 2 Piece Splice Connector

MLC-500S-2-P1	.500 Splice Connector, 2 Piece, P1 Cable
MLC-500S-2-P3	.500 Splice Connector, 2 Piece, P3 Cable
MLC-540S-2-QR	.540 Splice Connector, 2 Piece, QR Cable

### 3 Piece Splice Connector

MLC-500S-3-P1	.500 Splice Connector, 3 Piece, P1 Cable
MLC-500S-3-P3	.500 Splice Connector, 3 Piece, P3 Cable
MLC-540S-3-QR	.540 Splice Connector, 3 Piece, QR Cable
MLC-750S-3-P1	.750 Splice Connector, 3 Piece, P1 Cable
MLC-750S-3-P3	.750 Splice Connector, 3 Piece, P3 Cable