

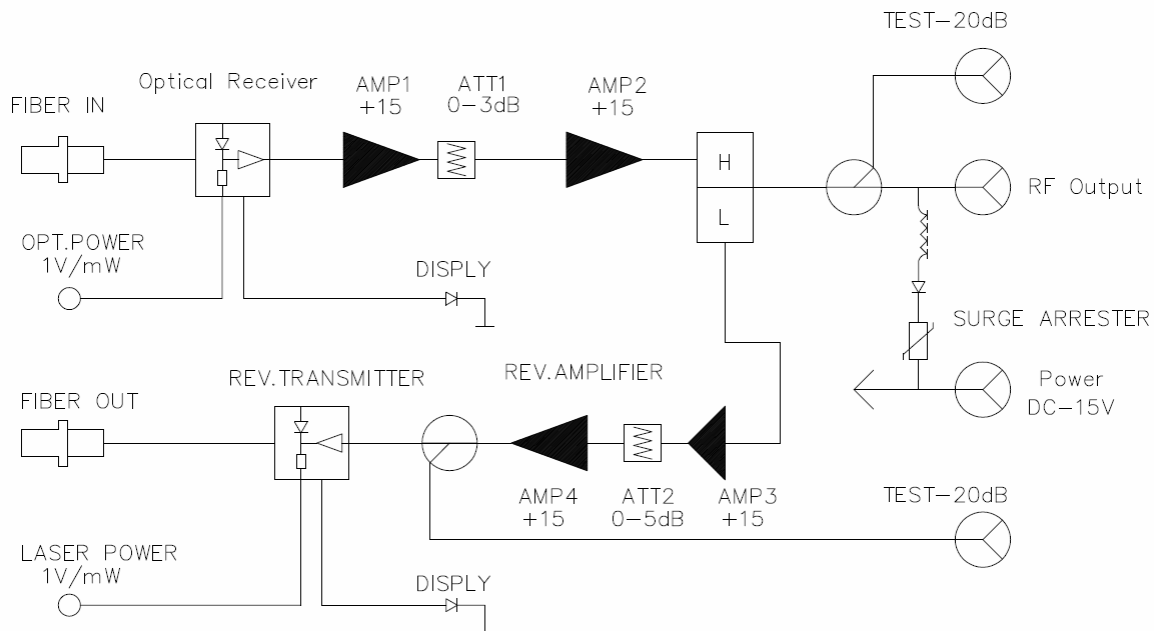


Taikan OFCN –x-x-x Mini Node Features:

- 1 GHz frequency design
- Selection of forward/return frequency splits
- Compact aluminum alloy housing for easy installation
- Output level +28dBmV with –1 dBm optical input
- -20 dB test points for forward and return testing
- RF power port or through designated F port (via power inserter)
- Standard bi-directional or forward signal available
- Power adapter included

*5-30or 5-55MHz upstream available upon special request

*47-1002 or 70-1002MHz downstream available upon special request



Specifications subject to change without notice. v16.00

Taikan OFCN-x-x-x : Specification

RF/ Optical Receiver	Typical				Units
Forward Frequency Range	47/54/70/85-1002				MHz
RF Output Level (@ -1 dBm input)	21				dBmV
Flatness	+1				dB
Output Return Loss	>16				dB
Distortion performance (@-1dBm input)					
CNR	51				dBc
CSO	-62				dBc
CTB	-65				dB
Optical Receiver Feature	Typical				Units
Optical Wavelength	1200-1620				nm
Input Optical Power	-6			2	dBm
Optical Return Loss	>55				dB
Optical Connector Type	SC/APC				
RF/ Return Transmitter	Typical				Units
Frequency Range	5-30/42/55/65				MHz
Flatness	+1.5				dB
Return Loss	>16				dB
Optical Return Transmitter	Typical				Units
Wavelength	1310				nm
Laser Type	Fabry-Perot (FP) or DFB				
Optical Output Power	1				mW
Return Transmitter					
Optical Power	1	2	3	4	mW
CNR based on 10 dB optical link	46	48	50	51	dBc
2nd Intermodulation on 2 channels	-55	-55	-55	-55	dBc
3rd Intermodulation on 2 channels	-60	-60	-60	-60	dBc
State Green	Laser Operation is OK				
State Red	Output Power is Below 50%				
Power Inspection	0.8	1	1	1.2	Vdc/mW

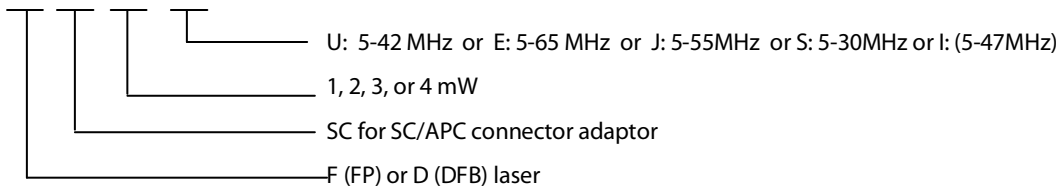
Specifications subject to change without notice. v16.00

General Specifications	
Operating Temperature	-40 to 60°C
Power Supply	15VDC 200mA
Surge withstand RF in/out ports	6kV, 8/20 us combo wave 3kA
	100 kHz ring wave 200A
Dimension	130x106x34mm

Specifications subject to change without notice. v16.00

Ordering Information

OFCN



*Note: 3mW and 4mW are special order items

U: includes a US power adapter/ E: includes a European power adaptor/J includes a Japanese power adaptor