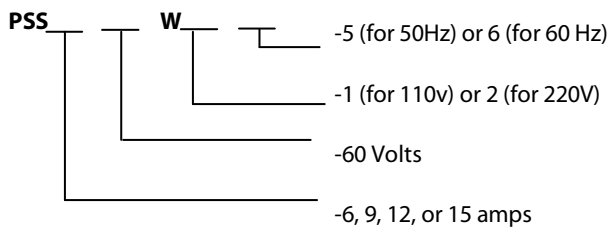




PSS Strand Mount Power Supply Features:

- Suitable for use in areas where standby reserve power is not a requirement. Its 60 VAC Quasi-square wave reduces an amplifier's ripple rating and improves the power transmission distance.
- Possesses an auto stability function and accepts input variation range in $\pm 15\%$. The Output Regulation is at $\pm 2\%$
- During a short, the Ferro resonant transformer folds back; limited @150% of the output rating, thereby preventing the transformer from being damaged.
- During an overload, the output voltage is lowered.
- An auto reset function is built in for instances when there is a short or overload.
- Built in delayed circuit; to protect the device from any input surges and minimizes the potential impacts of a power failure.
- Built in surge protection circuit that shunts any high voltage spike on the output.
- LED indicator light during normal operation

Ordering Information

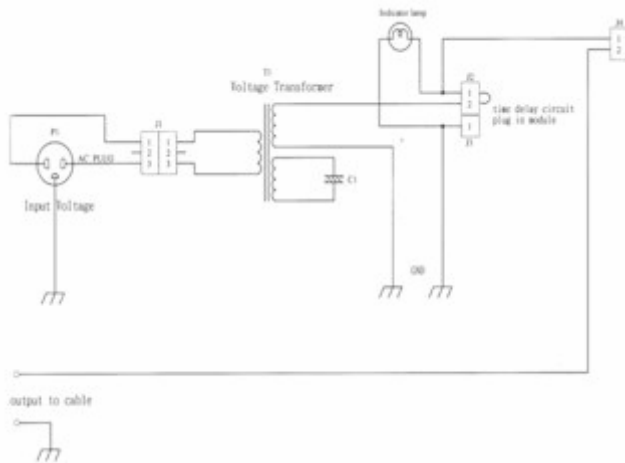


Specifications subject to change without notice. v10..00

Model Number	Std. Order Qty	Dimension	Box Weight
PSS-xxW-xx	1 pc	28x16x12cm/11x6.3x8.6 in	30 kg/60 lb

PSS Strand Mount Power Supply : Specification

Model Number	PSS-660W	PSS-960W	PSS-1260W	PSS-1560W	PSS-1569W
Output power	360 W	540 W	720 W	900 W	900 W
Output current	6A	9A	12A	15A	15A/10A
Output voltage	60V 2% at full load			60V/90V	
Output waveform	Quasi-square wave				
Input power supply	110V \pm 15% (or 220V \pm 15%)				
Input frequency	50/60 Hz				
Protection	Short circuit protection				
	Over load current limit				
	Start-up output delay				
	Output surge protection				
Operating temperature	-40 C $^{\circ}$ ~55 C $^{\circ}$				



Block Diagram



Time Delay Circuit Module

Model Number	Description	Box Weight	Dimension (LxWxH)
PSP-X-XW-X-X	Pole Mount Power Supply	30kg/60lbs	7.4x6.69x12in