

2 WAY LINE AMPLIFIER 1 GHz [BNA1000-2-34/18-x-x/x-x]

Cable Products, Amplifiers

Taikan

Description

Taikan's BNA1000-2-34/18-x-x/x-x is a 1 GHz two-way, two output line amplifier. Its modular design allows integration of forward (downstream), and return (upstream) amplification in one water-resistant unit. This reliable, high performance amplifier provides a cost effective solution for optimization of HFC TV networks.



Features

- Automatically Adjusts Gain (AGC function) According to the Output Level or Environmental Temperature
- Unitized Design with Detachable Amplifier and Power Supply all in one Module
- Two 108 dBuV Output Ports, Each with a Built-in Attenuator
- 1 GHz Frequency Amplifier Platform with SMT Technology
- 1 GHz GaAs Double Power Amplifier Module Offers High Linearity and Fidelity
- Local and Remote Power Feeding Capability
- Rugged Outdoor Aluminum Alloy Die-cast Housing Offers Excellent Water Resistance and Electromagnetic Shielding Performance
- Transistor Surge Arrester Resists Lightning and Surge Voltages
- Diplex Filter Option Offers Various Band Splits

Ordering Information

BNA1000-2-34/18 - x - x / x - x

U: US Power Adapter 110V; E: Europe Power Adapter 220V
42/54 (5-42 / 54-1002); 65/85 (5-65 / 85-1002); 55/70 (5-55 / 70-1002); 85/105 (5-85 / 105-1002)
0 for Manual Gain Control; 1 for Automatic Gain Control

Model Number	Description	Box Weight	Dimensions (L x W x H)
BNA1000-2-34/18-x-x/x-x	1000 MHz 2 Port Line Amplifier	2.2 kg / 5 lbs	240 x 215 x 115 mm. (9.5 x 8.5 x 4.5 in.)

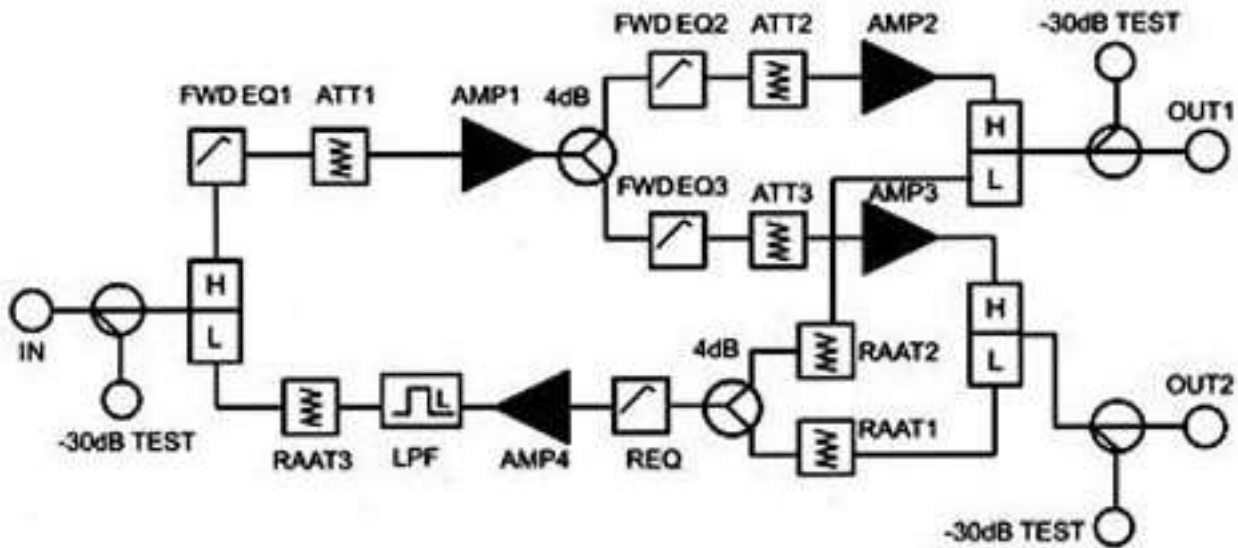
Forward (Downstream) Specifications

Forward (Downstream) Bandwidth	54/70/85 - 1000 MHz
Max Gain	34 dB
Flatness	± 0.75 dB
Return Loss	≥ 16 dB
Noise Frequency Ratio	≤ 10 dB
Output Level Range	108 dBμV
Distortion*	CTB: > 68 dB CSO: > 70 dB
Hum Modulation	≥ 62 dB
AGC Range (optional)	± 4 dB ± 0.3 dB
Power Supply	60 VAC (30V-70V / 1-0.5A) or 220 VAC (150V-265V / 0.3-0.2A)
Operating Temperature	-20 to +50 °C (-4 to +122 °F)

Return (Upstream) Specifications

Return(Upstream) Bandwidth	5 - 42/55/65 MHz
Gain	18 dB
Flatness	± 0.75 dB
Return Loss	≥ 16 dB
Noise Frequency Ratio	≤ 8 dB
Diplex Filter (Option)	42/54,65/85 MHz

Functional Block Diagram



*Without AGC Module

* 59 Tv channels loading & 200 MHz digital signal. Output level is 105 dBμV (flat) with tilt of 6 dB