

ADDITIONAL ADAPTERS [MLC-x]

Cable Products, Hardline Connectors

Taikan

MLC-FTC-x: Feed through Connector

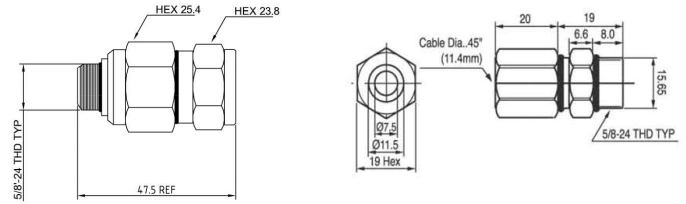
- Standard Quantity: 10 pcs



QR540

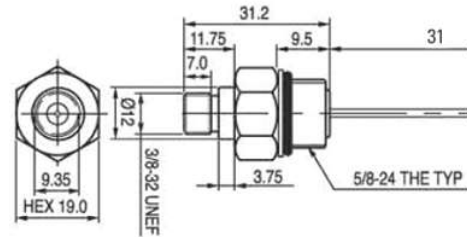


RG11



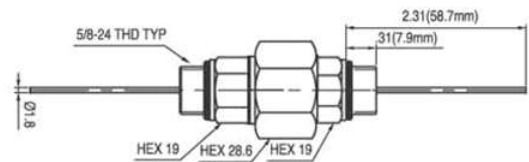
MLC-F: Connector to F Port

- Standard Quantity: 10 pcs



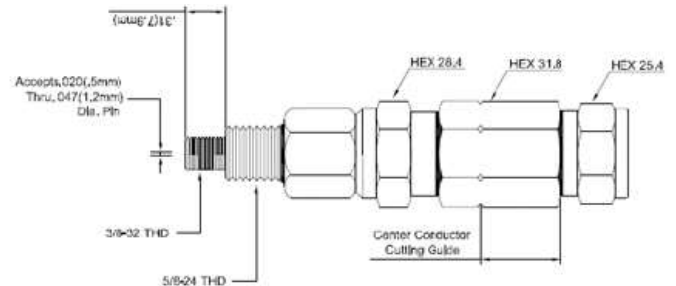
MLC-HH-R: Housing to Housing Connector

- Standard Quantity: 10 pcs



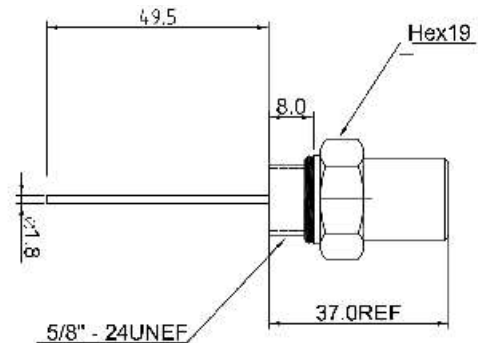
MLC-500F: F to Female/Male Connector

- Standard Quantity: 10 pcs



MLC-TRM: 75 Ohm Housing Terminator

- Standard Quantity: 10 pcs



ADDITIONAL ADAPTERS [MLC-x]

Cable Products, Hardline Connectors

Taikan

Specifications

Frequency Range	DC~1000 MHz
Working Voltage	335V Max
Withstand Voltage	170V R ms
Center Contact	$\leq 10 \text{ m } \Omega$
Outer Contact	$\leq 5 \text{ m } \Omega$
Insulation Resistance	$\geq 1000 \text{ M } \Omega$
Durability (Mating)	≥ 500 Cycles
Applicable Standard	IEC 60169-24
Material	Aluminum
Temperature Range	-35~+60 °C

Ordering Information

MLC - X - X

└─ **QR540, RG11 (FTC only)**

└─ **FTC, F, HH-R, 500F, or TRM**