

SINGLE FIBER OPTICAL MINI NODE

[OFCNSV-D-15-x-2-B-x-x-x/x-x] *Fiber Products, Optical Nodes*

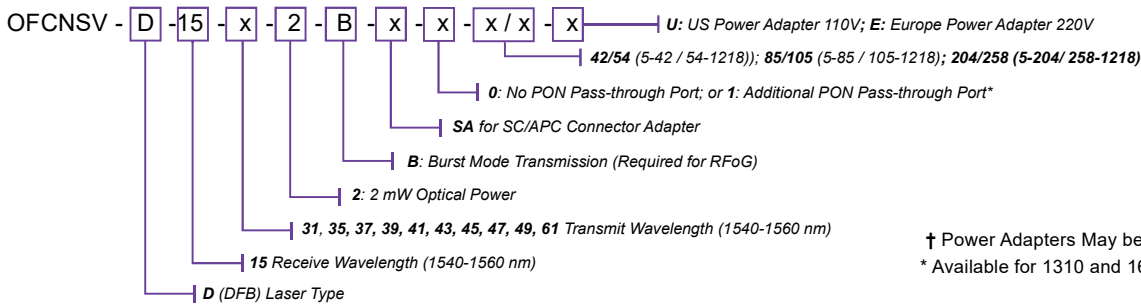


Features

- 5-1218 MHz Frequency Design
- One Fiber Transports Forward (Downstream) and Return (Upstream) Signals with WDM Technology
- Selection of Forward (Downstream) / Return (Upstream) Frequency Splits
- Compact Aluminum Alloy Housing for Easy Installation
- Output Level 17 dBmV with -7 dBm Optical Input
- -20 dB Test Points for Forward (Downstream) and Return (Upstream) Testing
- RF Power Port or Through Designated F Port (via Power Inserter)
- B: Burst Mode Option (Required for RFoG)
- Optional PON Pass-Through Port
- DFB Return (Upstream) Transmitter Lasers
- Power Adapter Included



Ordering Information



† Power Adapters May be Substituted Upon Request
* Available for 1310 and 1610nm

Model Number	Standard Carton Qty	Inner Box Qty	Unit Weight	Dimensions
OFCNSV-D-15-x-2-B-x-x-x/x-x	10	1	0.5 kg / 1.1 lbs	165 x 85 x 38 mm (6.5 x 3.35 x 1.5 in.)

Optical Receiver (Downstream)

Optical Wavelength	1540 - 1560 nm
Input Optical Power	-7dBm 2 dBm
Optical Connector Type	SC / APC

RF / Optical Receiver (Downstream)

CNR	> 46 dB
CSO	> 60 dB
CTB	> 60 dB

Distortion Testing

(@ -4 dBm Optical Input)

RF / Optical Receiver (Downstream)

Forward(Downstream) Frequency Range	54/105/258 - 1218 MHz
RF Output Level (@ -6 dBm)	17 dBmV
Flatness	± 1 dB
Output Return Loss	> 16 dB F port at 75 Ohms

* Please refer to <http://www.taikan.com/Downloads/warranty.pdf> for our warranty service agreement

© Copyright 2020 Taikan Company Inc. All rights reserved. This document is for information only. Features and specifications are subject to change without notice. v10121021

919 E. 29th St. Lawrence, KS USA 66046 // Phone: 1-785-841-5538 // Fax: 785-841-9512 // sales@taikan.com // www.taikan.com

Taikan

Optical Return Transmitter (Upstream)

Wavelength	1310 nm , 1610 nm or CWDM
Laser Type	DFB
Optical Output Power	3 ± 1 dBm
Return Laser Off Power	< -30 dBm
Return Laser Rise/Fall Time	1 μs (SCTE-174-2010)
Optical Return Loss	50 dB

RF/Return Transmitter (Upstream)

Frequency Range	5-42/85/204 MHz
Flatness	± 1.0 dB
Return Loss	≥ 16 dB
Input Level	12 - 50 dBmV
Laser Turn On Threshold	> 12 dBmV

General Specifications

RF Ports	75 Ohm "F" Type
Operating Temperature	-40 to 60 °C (-40 to 140 °F)
Storage Temperature	-40 to 85 °C (-40 to 185 °F)
Surge Withstand	0.5μs - 100 KHz ring wave 6 kV/200A
Power Supply	5.1 x 4.2 x 1.3 in. 12 VDC 1A