

# SINGLE FIBER OPTICAL MINI NODE

[OFCNS-x-x-x-x-x-x-x-x/x-x] *Fiber Products, Optical Nodes*

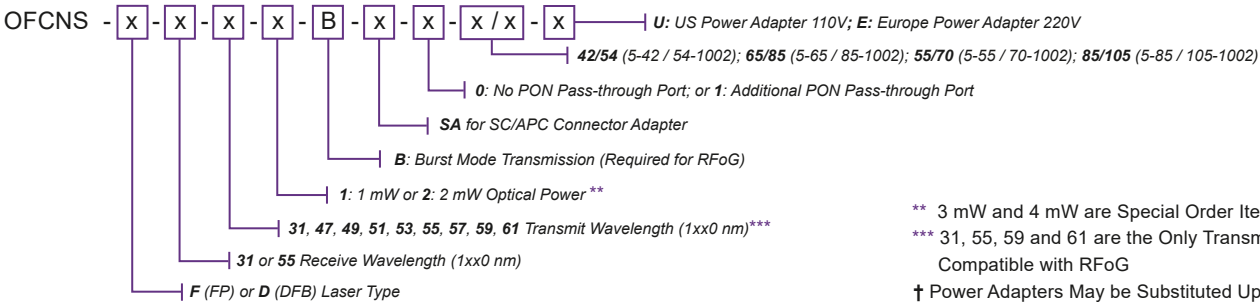
## Features

- 5-1002 MHz Frequency Design
- One Fiber Transports Forward (Downstream) and Return (Upstream) Signals with WDM Technology
- Selection of Forward (Downstream) / Return (Upstream) Frequency Splits
- Compact Aluminum Alloy Housing for Easy Installation
- Output Level 17-19 dBmV with -4 dBm Optical Input
- -20 dB Test Points for Forward (Downstream) and Return (Upstream) Testing
- RF Power Port or Through Designated F Port (via Power Inserter)
- B: Burst Mode Option (Required for RFoG)
- Optional PON Pass-Through Port
- FP or DFB Return (Upstream) Transmitter Lasers Available
- Power Adapter Included

\*5-30 or 5-55 MHz upstream available upon special request.  
\*\*47-1002 or 70-1002 MHz downstream available upon special request.



## Ordering Information



\*\* 3 mW and 4 mW are Special Order Items.  
\*\*\* 31, 55, 59 and 61 are the Only Transmit Options Compatible with RFoG  
† Power Adapters May be Substituted Upon Request

Model Number	Standard Carton Qty	Inner Box Qty	Carton Weight	Dimensions
OFCNS-x-x-x-x-x-x-x-x/x-x	10	1	7.3 kg / 16 lbs	130 x 106 x 34 mm (5.1 x 4.2 x 1.3 in.)

## Optical Receiver (Downstream)

Optical Wavelength	1300 - 1320 or 1540 - 1565 nm
Input Optical Power	-8 dBm 0 dbm
Optical Connector Type	SC / APC

## RF / Optical Receiver (Downstream)

CNR	> 48 dB
CSO	> 60 dB
CTB	> 65 dB

## Distortion Testing

(@ -4 dBm Optical Input)

## RF / Optical Receiver (Downstream)

Forward(Downstream) Frequency Range	47/54/70/85/105 - 1002 MHz
RF Output Level (@ -4 dB Input OMI = 3.7%)	17 - 19 dBmV
Flatness	± 1 dB
Output Return Loss	> 16 dB F port at 75 Ohms

\* Please refer to <http://www.taikan.com/Downloads/warranty.pdf> for our warranty service agreement

© Copyright 2020 Taikan Company Inc. All rights reserved. This document is for information only. Features and specifications are subject to change without notice. v121020

**Optical Return Transmitter (Upstream)**

<b>Wavelength</b>	1310 nm - 1610 nm*
<b>Laser Type</b>	Fabry-Perot (FP) or DFB
<b>Optical Output Power</b>	2 - 4 dBm
<b>Optical Return Loss</b>	50 dB

\*31, 47, 49, 51, 53, 55, 57, 59, 61

Transmit Wavelength (1xx0 nm)

**RF/Return Transmitter (Upstream)**

<b>Frequency Range</b>	5-30/42/55/65/85 MHz
<b>Flatness</b>	± 1.0 dB
<b>Return Loss</b>	≥ 16 dB
<b>Input Level</b>	20 - 45 dBmV
<b>Turn On Threshold</b>	10 dBmV

**General Specifications**

<b>RF Ports</b>	75 Ohm "F" Type
<b>Operating Temperature</b>	-40 to 60 °C (-40 to 140 °F)
<b>Storage Temperature</b>	-40 to 80 °C (-40 to 176 °F)
<b>Surge Withstand</b>	0.5µs - 100 KHz ring wave 6 kV/200A
<b>Power Supply</b>	5.1 x 4.2 x 1.3 in. 15 VDC 200 mA

# DUAL FIBER OPTICAL MINI NODE

[OFCND-x-x-x-x-x-x/x-x] *Fiber Products, Optical Nodes*

## Features

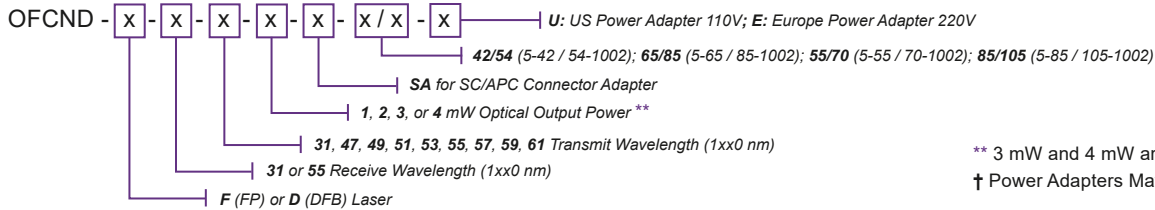
- 5-1002 MHz Frequency Design
- Selection of Forward(Downstream)/Return(Upstream) Frequency Splits
- Compact Aluminum Alloy Housing for Easy Installation
- Output Level +28 dBmV with -1 dBm Optical Input
- -20 dB Test Points for Forward (Downstream) and Return (Upstream) Testing
- RF Power Port or Through Designated F Port (via Power Inserter)
- Standard Bi-directional or Forward(Downstream) Signal Available
- FP or DFB Return(Upstream) Transmitter Lasers Available
- Power Adapter Included

\*5-30 or 5-55 MHz upstream available upon special request.

\*\*47-1002 or 70-1002 MHz downstream available upon special request.



## Ordering Information



\*\* 3 mW and 4 mW are special order items.

† Power Adapters May be Substituted Upon Request

Model Number	Standard Carton Qty	Inner Box Qty	Carton Weight	Dimensions
OFCND-x-x-x-x-x-x/x-x	10	1	7.3 kg / 16 lbs	130 x 106 x 34 mm (5.1 x 4.2 x 1.3 in.)

## Optical Receiver (Downstream)

Optical Wavelength	1200-1620 nm
Input Optical Power	-6 dBm      2 dbm
Optical Return Loss	>55 dB
Optical Connector Type	SC / APC

## RF / Optical Receiver (Downstream)

Distortion Testing (@ -1 dBm Optical Input)	
CNR	51 dB
CSO	-62 dBc
CTB	-65 dBc

## RF / Optical Receiver (Downstream)

Forward Frequency Range	47/54/70/85/105 - 1002 MHz
RF Output Level (@ -1 dBm input)	28 dBmV
Flatness	+1 dB
Output Return Loss	>16 dB

\* Please refer to <http://www.taikan.com/Downloads/warranty.pdf> for our warranty service agreement

© Copyright 2020 Taikan Company Inc. All rights reserved. This document is for information only. Features and specifications are subject to change without notice. v121020

**Optical Return Transmitter (Upstream)**

<b>Wavelength</b>	1310 nm to 1610 nm*
<b>Laser Type</b>	Fabry-Perot (FP) or DFB

\*31, 47, 49, 51, 53, 55, 57, 59, 61  
Transmit Wavelength (1xx0 nm)

**RF / Radio Frequency (Upstream)**

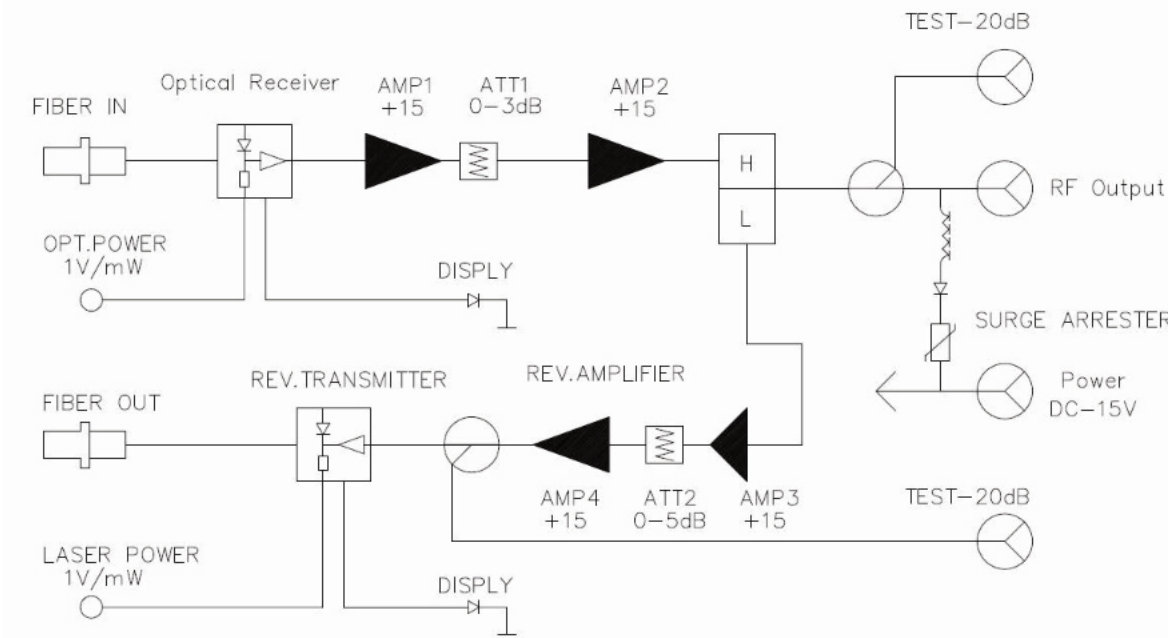
<b>Frequency Range</b>	5-30/42/55/65/85 MHz
<b>Flatness</b>	+1.5 dB
<b>Return Loss</b>	>16 dB

**Return Transmitter (Upstream)**

<b>Optical Output Power</b>	1 mW	2 mW	3 mW	4 mW
<b>CNR Based on 10 dB Optical Link</b>	46 dB	48 dB	50 dB	51 dB
<b>2nd Intermodulation on 2 Channels</b>	-55 dBc	-55 dBc	-55 dBc	-55 dBc
<b>3rd Intermodulation on 2 Channels</b>	-60 dBc	-60 dBc	-60 dBc	-60 dBc
<b>State Green</b>	Laser Operation is OK			
<b>State Red</b>	Output Power is Below 50%			
<b>Power Inspection</b>	0.8 Vdc/mW	1 Vdc/mW	1 Vdc/mW	1.2 Vdc/mW

**General Specifications**

<b>Operating Temperature</b>	-30 to 50 °C (-22 to 122 °F)
<b>Power Supply</b>	15 VDC 200 mA
<b>Surge withstand RF in/out ports</b>	6KV, 8/20 us combo wave 3kA 100 kHz ring wave 200A



# ULTRA MINI OPTICAL NODE [OFCNRS-x-SA-x/x-x]

Fiber Products, Nodes

**Taikan**  
ESTD. 1973

## Features

- 45 - 1002 MHz Frequency Design\*
- Compact Aluminum Alloy Housing for Easy Installation
- Output Level +20 dBmV with -1 dBm Optical Input
- RF Power Port or Through Designated F Port (via Power Inserter)
- Equipped with WDM Technology
- LED Power Indicator
- Two Mounting Screws Included
- Regional Power Adapter Included



## Ordering Information



\* Regional Frequency Designs Available



## RF / Optical Receiver

Forward (Downstream) Frequency Range	45 - 1002 MHz
RF Output Level (@ -1 dBm Input)	20 dBmV
Flatness	± 0.5 dB
Output Return Loss	> 14 dB
Distortion Performance (@ -1 dBm Input)	
CNR	51 dB
CSO	-60 dBc
CTB	-60 dBc

## Optical Receiver Feature

Optical Wavelength	1100 - 1650 nm
Input Optical Power	-9 dBm 2 dbm
Optical Return Loss	> 40 dB
Optical Connector Type	SC / APC
State Green	> -9
State Red	< -9

## General Specifications

Operating Temperature	-20 to 55 °C (-22 to 122 °F)
Power Supply	12 VDC 280 mA
Surge withstand RF In/Out Ports	6KV, 8/20 us combo wave 3kA 0.5µS-100KHz ringwave 6kv/200A
Dimensions	74 x 64 x 17 mm. (2.91 x 2.52 x .67 in.)