

SINGLE FIBER OPTICAL MINI NODE

[OFCNS-x-x-x-x-x-x-x-x/x-x] *Fiber Products, Optical Nodes*



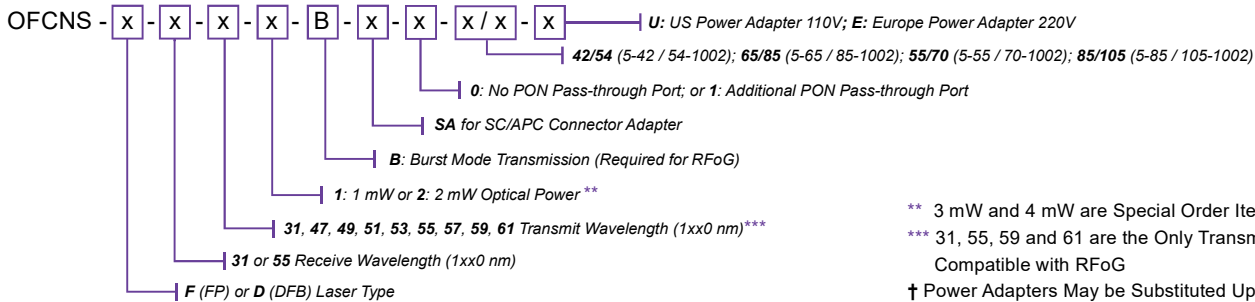
Features

- 5-1002 MHz Frequency Design
- One Fiber Transports Forward (Downstream) and Return (Upstream) Signals with WDM Technology
- Selection of Forward (Downstream) / Return (Upstream) Frequency Splits
- Compact Aluminum Alloy Housing for Easy Installation
- Output Level 17-19 dBmV with -4 dBm Optical Input
- -20 dB Test Points for Forward (Downstream) and Return (Upstream) Testing
- RF Power Port or Through Designated F Port (via Power Inserter)
- B: Burst Mode Option (Required for RFoG)
- Optional PON Pass-Through Port
- FP or DFB Return (Upstream) Transmitter Lasers Available
- Power Adapter Included

*5-30 or 5-55 MHz upstream available upon special request.
 **47-1002 or 70-1002 MHz downstream available upon special request.



Ordering Information



** 3 mW and 4 mW are Special Order Items.
 *** 31, 55, 59 and 61 are the Only Transmit Options Compatible with RFoG
 † Power Adapters May be Substituted Upon Request

Model Number	Standard Carton Qty	Inner Box Qty	Unit Weight	Dimensions
OFCNS-x-x-x-x-x-x-x-x/x-x	10	1	0.5 kg / 1.1 lbs	165 x 85 x 38 mm (6.5 x 3.35 x 1.5 in.)

Optical Receiver (Downstream)

Optical Wavelength	1300 - 1320 or 1540 - 1565 nm
Input Optical Power	-8 dBm 0 dbm
Optical Connector Type	SC / APC

RF / Optical Receiver (Downstream)

CNR	> 48 dB
CSO	> 60 dB
CTB	> 65 dB

Distortion Testing
 (@ -4 dBm Optical Input)

RF / Optical Receiver (Downstream)

Forward(Downstream) Frequency Range	47/54/70/85/105 - 1002 MHz
RF Output Level (@ -4 dB Input OMI = 3.7%)	17 - 19 dBmV
Flatness	± 1 dB
Output Return Loss	> 16 dB F port at 75 Ohms

* Please refer to <http://www.taikan.com/Downloads/warranty.pdf> for our warranty service agreement

© Copyright 2020 Taikan Company Inc. All rights reserved. This document is for information only. Features and specifications are subject to change without notice. v111521

Optical Return Transmitter (Upstream)

Wavelength	1310 nm - 1610 nm*
Laser Type	Fabry-Perot (FP) or DFB
Optical Output Power	2 - 4 dBm
Optical Return Loss	50 dB

* 31, 47, 49, 51, 53, 55, 57, 59, 61

Transmit Wavelength (1xx0 nm)

RF/Return Transmitter (Upstream)

Frequency Range	5-30/42/55/65/85 MHz
Flatness	± 1.0 dB
Return Loss	≥ 16 dB
Input Level	20 - 45 dBmV
Turn On Threshold	10 dBmV

General Specifications

RF Ports	75 Ohm "F" Type
Operating Temperature	-40 to 60 °C (-40 to 140 °F)
Storage Temperature	-40 to 80 °C (-40 to 176 °F)
Surge Withstand	0.5µs - 100 KHz ring wave 6 kV/200A
Power Supply	5.1 x 4.2 x 1.3 in. 15 VDC 200 mA